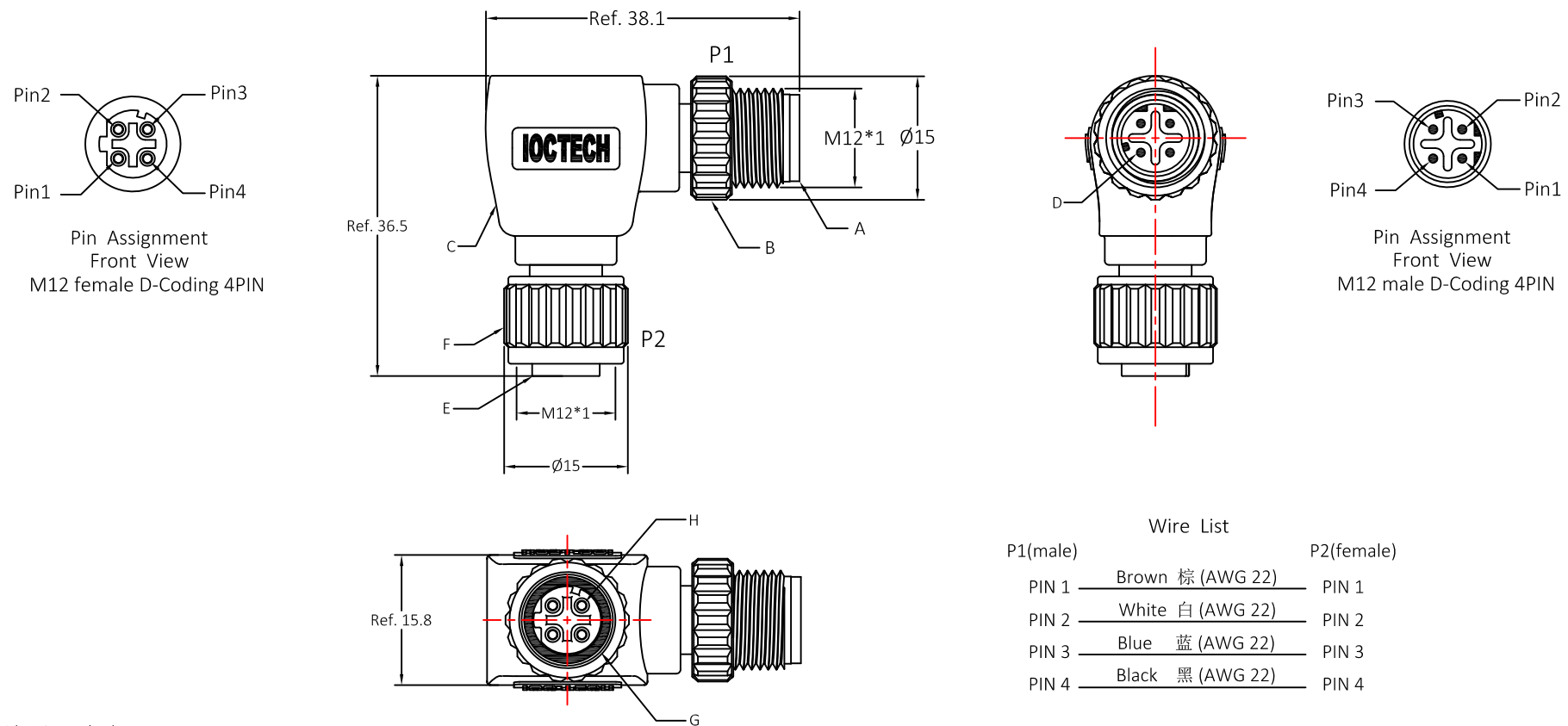


发行版本 Revision	修改内容 Description	变更编号 ECO NO.	日期 Date
A/0	First release	---	Feb.28, 2019



- NOTES:
- Compliant with IEC standard.
 - Screws/ nuts material: Brass with 120μ" nickel plated CNC parts.
 - Male contacts material: Brass with 3μ" gold plated on nickel base, machined solid pin.
 - Female contacts material: Phosphor bronze with 3μ" gold plated on nickel base, machined solid pin.
 - Temperature Range: Dynamic -25 ~ 80°C, Static: -40 ~ 80°C/ 90°C.
 - Protection degree: IP67 in locked status, IP68 base on customer specific requirements.
 - RoHS compliant.

No.	Items	Parts Description
A	Housing1	M12 4Pin male housing (insert) D-Coding, black TPU + GF
B	Screw	M12*1.0 screw thread, brass with nickel plated
C	Overmold	Thermoplastic TPU, black
D	Contacts1	1.0 mm male contacts, brass with gold plated
E	Housing2	M12 4Pin female housing (insert) D-Coding, black TPU + GF
F	Screw nut	M12*1.0 screw inner thread, brass with nickel plated
G	O-ring	FKM, green
H	Contacts2	1.05 mm female contacts, phosphor bronze with Gold plated

Third Angle Projection		<h2>IOC Tech Inc</h2>						
图号 Drawing No.	C208-CA0021	料号 Part number	ADPM1290-IOC-MF	品名 Part Name		M12 D-coding 4Pin, L-Splitter, male to female		
文件保密 CONFIDENTIAL This drawing may not be reproduced or used in whole or in part for manufacture or sale of products without IOC Tech Inc written permission. 本图纸未经允许，不得复制或外传或它用！		未注公差 Unless Otherwise Specified	比例 Scale	1.5:1	图纸确认 APPROVAL		日期 Date	
		线性 Linear	0.5~6 ±0.1	单位 Unit	mm	绘图 Drawn by	Hui Feng	Feb.28, 2019
		>6~30 ±0.2	>30 ±2%			审核 Checked by		
		角度 Angles	±3°	页码 Page	1/1	客户确认 Customer Approval		

All rights reserved by IOC Tech Inc.