

# Industrial Unmanaged FE Switch



## IFS-500C

### 5x 10/100Base-TX Fast Ethernet Switch (Compact)

This model is a compact sized, non-managed industrial grade Fast Ethernet switch with 5 10/100Base-TX ports that provide stable and reliable Ethernet transmission. Housed in rugged DIN rail or wall mountable enclosures, these switches are designed for harsh environments, such as industrial networking, intelligent transportation systems (ITS) and are also suitable for many military and utility market applications where environmental conditions exceed commercial product specifications. Standard operating temperature range models (-10 to 60°C) and wide operating temperature range models (-40 to 75°C) fulfill the special needs of industrial automation applications.

### Feature

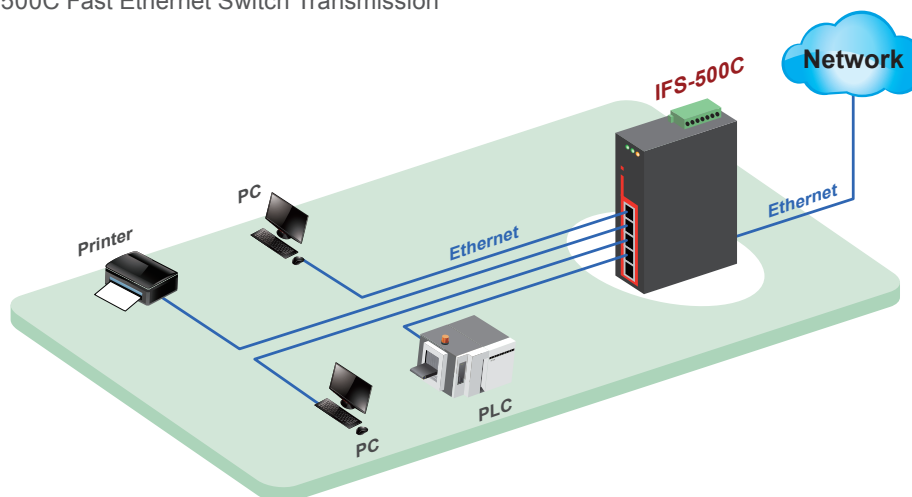
- Wide range input power 12/24/48VDC (9.6~60VDC), or AC24V (18~36VAC)
- IP30 rugged metal housing and Fanless
- Compact size for easy installation
- Wide operating temperature -40 ~ 75°C (-E model)
- Provides broadcast storm protection
- Very low power consumption
- Supports flow control
- CE, FCC, and EN50121-4 for railway traffic certification
- Industrial grade EMS, EMI, EN61000-6-2, EN61000-6-4 certified

### Specifications

<b>IEEE Standard</b>	IEEE 802.3 10Base-T Ethernet IEEE 802.3u 100Base-TX and 100Base-FX Fast Ethernet IEEE 802.3x Flow Control and Back Pressure	<b>Operating Humidity</b>	5% to 95% (Non-condensing)								
<b>Switch Architecture</b>	Back-plane (Switching Fabric) : 1.0 Gbps Full wire-speed	<b>Storage Temperature</b>	-40 ~ 85°C								
<b>Data Processing</b>	Store and Forward	<b>Housing</b>	Rugged Metal, IP30 Protection and FanLess								
<b>Transfer Rate</b>	14,880pps for Ethernet port 148,800pps for Fast Ethernet port	<b>Dimensions</b>	70 x 30 x 103 mm (D x W x H)								
<b>Flow Control</b>	IEEE 802.3x flow control, back pressure flow control	<b>Weight</b>	220g								
<b>Provides Broadcast Storm Protection</b>	Present	<b>Installation Mounting</b>	DIN Rail mounting, or wall mounting (optional)								
<b>MAC Address Table</b>	1K	<b>MTBF</b>	1,013,759 Hours (MIL-HDBK-217)								
<b>Packet Buffer Size</b>	448Kbits	<b>Warranty</b>	5 years								
<b>Network Connector</b>	5x RJ-45 RJ-45 Port: Auto MDI/MDI-X function, 10/100Base-TX auto negotiation speed, Full/Half duplex	<b>Certification</b>									
<b>Network Cable</b>	10Base-T: 2-pair UTP/STP Cat. 5 cable EIA/TIA-568 100-ohm (100m) 100Base-TX: 2-pair UTP/STP Cat. 5 cable EIA/TIA-568 100-ohm (100m)	<b>EMC/EMS</b>	CE								
<b>Protocol</b>	CSMA/CD	<b>EMI (Electromagnetic Interference)</b>	FCC Part 15 Subpart B Class A, CE EN55022 Class A								
<b>LED</b>	Per unit: Power (Green) RJ-45 Per port: Link/Active (Green), Speed 100 (Yellow)	<b>Railway Traffic</b>	EN50121-4								
<b>Reverse Polarity Protection</b>	For DC input power protection	<b>Immunity for Heavy Industrial Environment</b>	EN61000-6-2								
<b>Overload Current Protection</b>	Present	<b>Emission for Heavy Industrial Environment</b>	EN61000-6-4								
<b>Power Supply</b>	DC 12/24/48V (9.6~60VDC) or AC 24V (18~36VAC) input power (Removable Terminal Block)	<b>EMS</b>	EN61000-4-2 (ESD) Level 3, Criteria B EN61000-4-3 (RS) Level 3, Criteria A EN61000-4-4 (Burst) Level 3, Criteria A EN61000-4-5 (Surge) Level 3, Criteria B EN61000-4-6 (CS) Level 3, Criteria A EN61000-4-8 (PFMF, Magnetic Field) Field Strength: 300A/m, Criteria A								
<b>Power Consumption</b>	<table border="1"> <thead> <tr> <th>Input Voltage</th> <th>Power Consumption(Watt)</th> </tr> </thead> <tbody> <tr> <td>DC 12V</td> <td>0.9W</td> </tr> <tr> <td>DC 24V</td> <td>1.2W</td> </tr> <tr> <td>DC 48V</td> <td>2W</td> </tr> </tbody> </table>	Input Voltage	Power Consumption(Watt)	DC 12V	0.9W	DC 24V	1.2W	DC 48V	2W	<b>Shock</b>	IEC 60068-2-27
Input Voltage	Power Consumption(Watt)										
DC 12V	0.9W										
DC 24V	1.2W										
DC 48V	2W										
<b>Removable Terminal Block</b>	Provides for input power (2 Pin)	<b>Freefall</b>	IEC 60068-2-32								
<b>Operating Temperature</b>	-10 ~ 60°C (IFS-500C) -40 ~ 75°C (IFS-500C-E)	<b>Vibration</b>	IEC 60068-2-6								

## Application

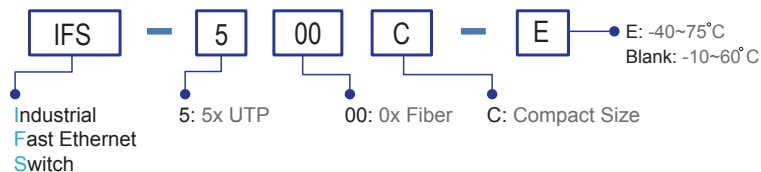
► Figure : IFS-500C Fast Ethernet Switch Transmission



## Ordering Information

Model Name	Total Port	UTP Port		Certification			Operating Temperature
		10/100Base-TX	Railway EN50121-4	EN61000-6-2 EN61000-6-4	CE	FCC	
IFS-500C	5	5	V	V	V	V	-10~60 °C
IFS-500C-E	5	5	V	V	V	V	-40~75 °C

### Model Naming Rule



## Optional Accessories

### Industrial Power Supply

DR-4524	Industrial Power, Input 85 ~ 264VAC, Output 24VDC, 48W, -10 ~ +50°C
MDR-40-24	Industrial Power, Input 85 ~ 264VAC, Output 24VDC, 40W, -20 ~ +70°C
IND-WMK03	Wall Mount kit for Industrial product (Compact, 150x 30mm)

### Package List

- IFC-500C device
- Quickly installation guide
- Din Rail with screws
- Terminal block